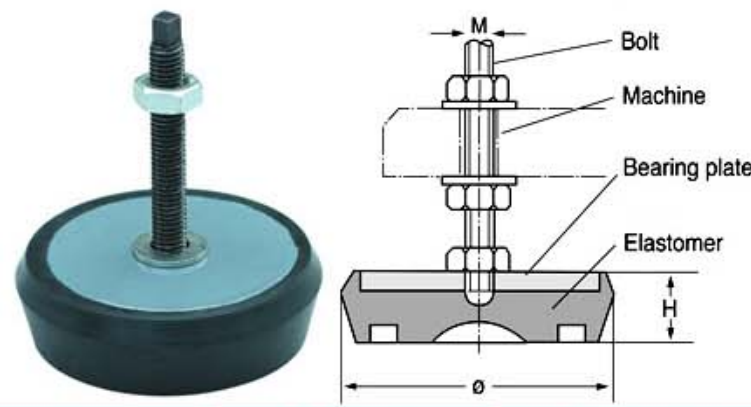


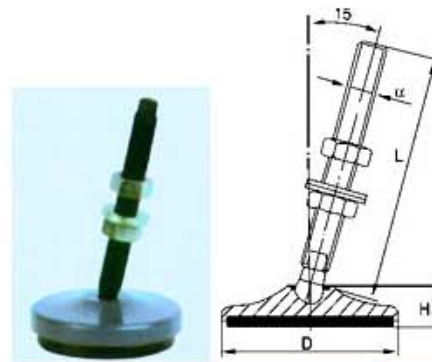
Konejalat



Part No.	Dimensions (mm)		Bolt (mm)	Adjust height (mm)	Load per mount
φ-H	φ	H	M	Δ	F (N)
S79 063-17	63	17	M10×80 (110)	15	800
S79 076-20	76	20	M12×100 (130)	20	1300
S79 086-25	86	25	M12×100 (130)	20	3000
S79 110-28	110	28	M16×120 (180)	25	5500
S79 127-30	127	30	M16×120 (180)	25	9000
S79 150-33	150	33	M16×120 (180)	25	15000

Feature application

- It isolates the vibration and shock of the machine from the floor. It can also reduce the influences from other machine.
- Machine are stationary on the floor without anchors.
- NBR rubber can resist oil and refrigerant.
- Light duty metal cutting machines, light industry, textile, food process production line.



Model		s78-5-01	s78-5-02	s78-5-03
Diameter (D)	mm	80	100	160
	inches	3_5/32	3_15/16	6_23/32
Height (H)	mm	25	27	30
	inches	1	1_1/16	1_3/16
Thread (d)	mm	M12	M16	M20
Height adjust	mm	127	145	162
	inches	5	5_45/64	6_3/8
Load per mount	F (N)	5000	8000	12000



Feature of mounts

It isolates the vibration and shock of the machine from the floor. It can also reduce the influences from the other machines.

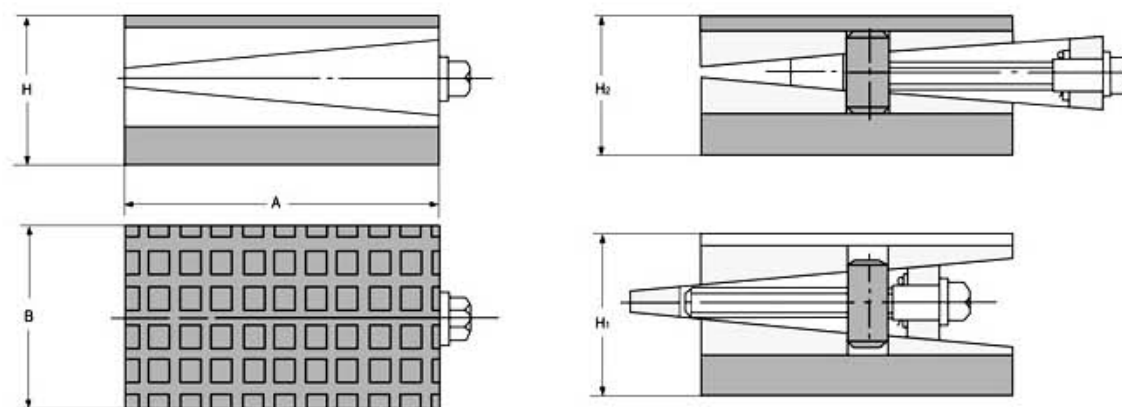
Machines are stationary on the floor without anchors. Therefore the installation cost and time can be greatly saved.

Machines level can be large range adjusted.

NBR rubber can resist oil and refrigerant.

Application

Not have anchor hole of the machine tools



Part No.	Dimensions (mm)			Screw (mm)	Adjust height (mm)	Load per mount (kg)
A-B	A	B	H	M	H ₁ -H ₂	F (N)
S77 150-75	150	80	70	16	5	500
S77 200-95	200	100	80	16	6	800
S77 250-115	250	120	100	18	8	1000